



LiftTrack™ Captures and Stores Data on PSV Lift Events

Total Valve Systems is Your Partner in PSV Reliability

Total Valve Systems proudly introduces two new reliability tracking systems designed to help customers evaluate and maintain pressure safety valves in service.

LiftTrack™ With LiftTrack™, our new patented PSV lift event indicator, customers capture data on the various lift events that occur within a PSV. The LiftTrack™ device is located under the valve cap and detects all lift events within a specific valve. The mechanism records data on lift events and stores the information, so customers can better understand the PSV and overall system reliability.

LiftTrack™ stores other critical PSV system data as well. This information can be downloaded into our Total Valve Live system as part of our normal repair process. Total Valve Live provides us and the customer insight into the various lift events a device has recorded. The data can also be accessed while the valve is in its location. Total Valve Live data allows our customers to couple lift events with DCS system events to aid in PSM requirements.

Total Valve Reliability System Our new Total Valve Reliability System provides real-time reports that save customers money and down time. Using our extensive service and repair history on a specific valve, we can help customers optimize schedules for pulling or servicing valves before they begin to fail. Also, by analyzing the exact repair and service timeframes, we can better understand changing process conditions beneath the valve.

LiftTrack™ from Total Valve

- Mounted Securely Under Valve Cap
- Tracks and Stores Data on All Valve Lift Events
- Reliability Data in Total Live System
- Enables Reporting from our New Total Valve Reliability System

MORE INFO: TotalValve.com/LiftTrack

For a live demonstration, or for more information, including pricing and delivery:
Alex Lybarger, Applications Engineer
ALybarger@TotalValve.com | (918) 978-5756



Total Valve Systems

1300 East Memphis Street | Broken Arrow, Oklahoma 74012

PH: (918) 258-7035 | FX: (918) 251-6426

TotalValve.com



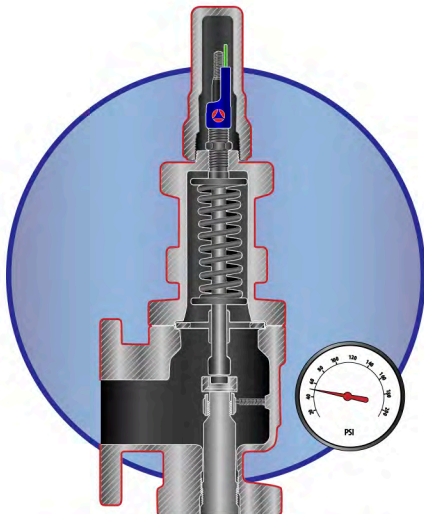
LiftTrack™ Captures and Stores Data on PSV Lift Events

The New LiftTrack™ System Paired with Total Valve Live and the Total Reliability System Make Valve Reliability Easier than Ever to Manage.

LiftTrack™, our new patented PSV lift event indicator captures data on the various lift events that occur within a PSV. The Total Valve Live system provides insight into the lift events each device has recorded. Our Total Valve Reliability System generates real-time reports that save customers money and down time.

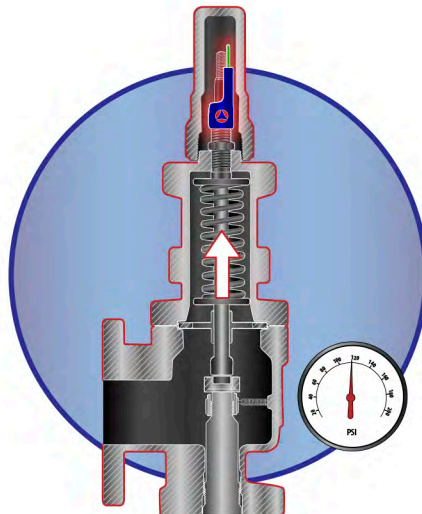
LiftTrack™ Technical Specifications

Operating Temperature Range	-37° F to 200° F
Service Life	5 years
Environmental	Intrinsically Safe - Conformal Coatings
Current	<100 Micro Amps When Energized
Cycles	>500 Cycles
Reaction Time	<10 Milliseconds
Total Time Lifted Measurement	Number of Seconds
Connectivity	USB



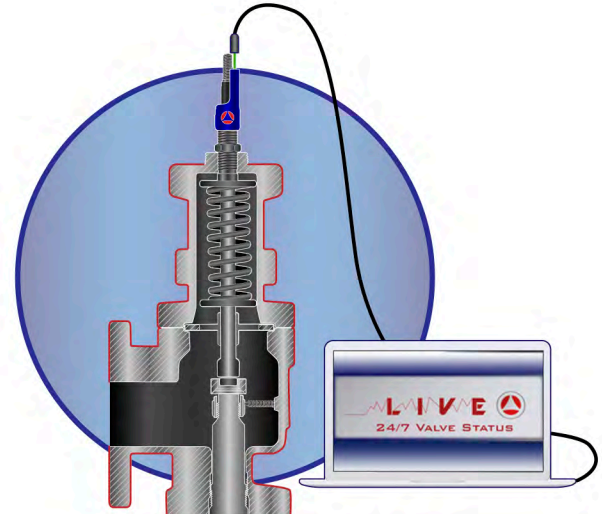
Valve Operating Normally

The LiftTrack™ system sits securely under the valve cap. With a service life of up to five years, it can easily pay for itself over time.



Lift Event Occurs

When a lift event occurs, the LiftTrack™ system records data on the event and stores the data for future retrieval.



LiftTrack™ Data is Downloaded

LiftTrack™ stores reliability data that can be uploaded to the Total Live System. Reporting is also available through our new Total Valve Reliability System.



Total Valve Systems

1300 East Memphis Street | Broken Arrow, Oklahoma 74012
PH: (918) 258-7035 | FX: (918) 251-6426
TotalValve.com