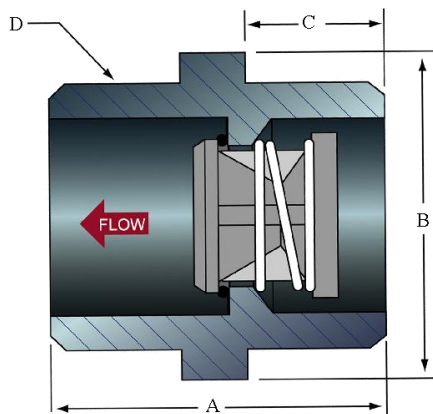




CHECK VALVE - 3925

Model 3925 Check Valve is designed as a pressure or a vacuum vent valve. The minimum settings are 2 ounces for pressure and 2 ounces for vacuum.



Features:

- Vacuum relief only
- Pressure relief only
- Soft seat materials available with a wide range of elastomers to choose from
- Metal to metal seats available
- 1/2" NPT to 3" NPT threads
- Heavily constructed giving long lasting service
- Available in carbon steel or stainless steel.
- Other materials available upon request

Nom. Pipe Size	A	Hex Size B	C	D
1/2	2 11/32"	7/8	1.016	1/2
3/4	2 11/32"	1 1/8	1.016	3/4
1	3"	1 3/8	1.297	1
1 1/4	3"	1 3/4	1.297	1 1/4
1 1/2	3"	2	1.297	1 1/2
2	3"	2 1/2	1.297	2
3	3 7/8"	3 1/2	1.688	3

Typical dimensions are listed. Data contained herein can be altered to accommodate design changes and changes to increase performance. Information on this page is the sole property of L6 Inc. d/b/a Total Valve Systems.