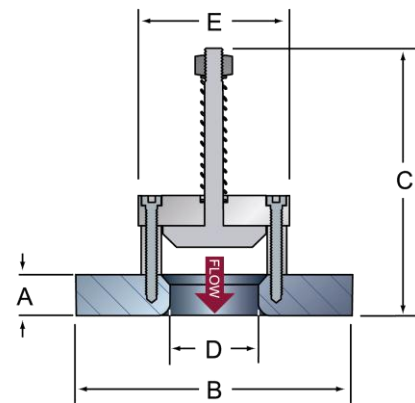
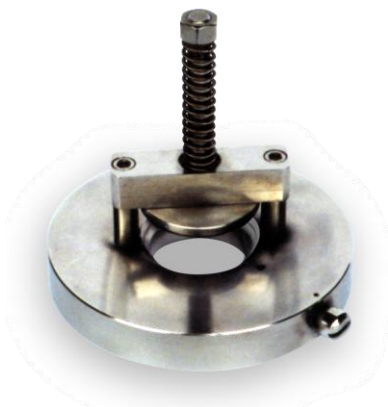




EXCESS FLOW VALVE – 2000 SERIES
- 2100

2100 Series Excess Flow Valves are designed to easily insert between ANSI class flanges for use in liquid or vapor service. These valves are lightweight, offer generous flow rates and are extremely durable. The 2100 Series valve is equipped with a weep hole to allow for pressure equalization once the valve closes. It comes equipped with a manual reset feature. This reduces the time it takes for pressure to equalize and the valve to reopen. Available in carbon or stainless steel. Other materials available upon request.

Model	Size	A Width	B Dia.	C Length	D Orifice Dia.	E Insert Dia.
2100-G	1.5"	1/2	2 7/8	2 5/8	0.80	1 1/2
2100-I	2"	1/2	3 5/8	3 11/32	1.10	1 29/32
2100-K	3"	1/2	5	3 23/32	1.65	2 7/8
2100-L	4"	5/8	6 3/16	4 11/16	2.20	3 3/4
2100-M	6"	3/4	8 1/2	7 7/32	3.30	5 11/16
2100-N	8"	3/4	10 5/8	8 3/16	4.50	7 1/2
2100-P	10"	7/8	12 3/4	11 5/16	5.50	9 5/8
2100-Q	12"	1.25	15	14 1/2	6.60	11 1/2
2100-R	14"	1.50	16 1/4	16 1/2	7.70	12 7/8



Typical dimensions are listed. Data contained herein can be altered to accommodate design changes and changes to increase performance. Information on this page is the sole property of L6 Inc. d/b/a Total Valve Systems.