

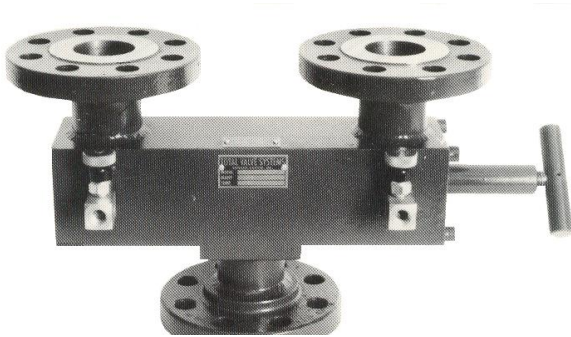


ISOLATION VALVE – 8000 SERIES
- 8000F

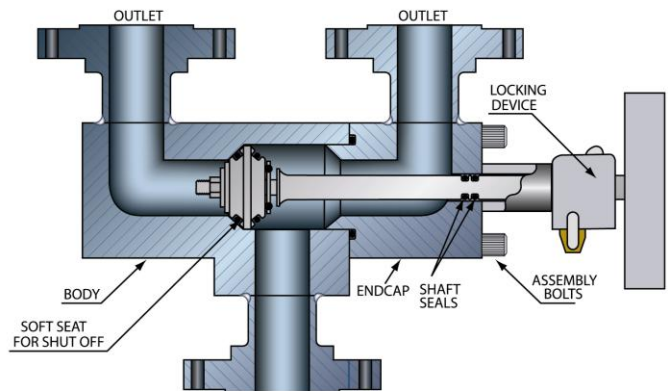
Isolation Valve Model 8000F is designed to incorporate two safety relief valves to protect in an overpressure emergency. Only one safety relief valve is in operation while the other is a back up. If a problem occurs, such as a leak, simply switch to the other safety relief valve and remove the faulty one and make repairs. This insures that one safety relief valve is in operation at all times.

Features:

- Automatic pressure balance at start of position change.
- Pressure bleed valve at each position also serves for in-line testing.
- Locking device permits valve to be locked in operating position only. (Optional)
- Low profile design for easy installation in tight areas.
- External position indicator shows which safety relief is in operation.
- Double sealed selector assures over pressure relief protection at all times.
- Standard o-ring seating keeps maintenance cost to a minimum.
- Two-piece body allows for replacement of isolation valve seals without removal of safety relief valves from body.
- Low-pressure drop permits maximum SRV performance. CV factor (stem end) provided to assist in selection of proper isolation valve to conform to API RP 520 Part 2 Section 2.2 recommended practices.
- Sizes ½” ¾”, 1”, 1 ½” and 2”.



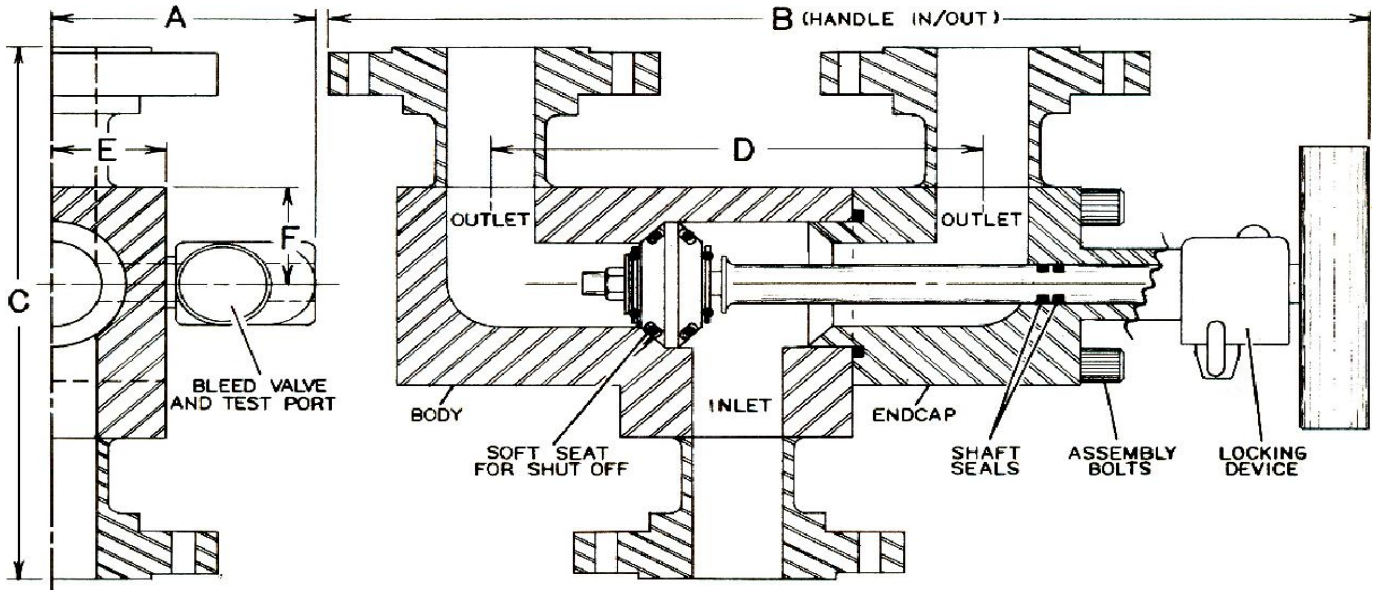
Redesigned to Round Body



Temperature: -20 to 400 F
 MAWP: 1500 psig
 Seal: Buna-N, EPDM, Neoprene, Viton, Silicon
 Material Options: CS/SS, SS/SS
 (Call for consult for differing temp & MAWP)



ISOLATION VALVE – 8000 SERIES



SIZE	A	IN	B	OUT	C			D	E, F	Cv *	WEIGHT
					150#	300#	600#				
1/2	2 3/8	9 3/16	10	5 7/8	6 1/8	6 1/2	3 3/4	7/8	9	10#	
3/4	2 1/2	11 15/16	13	6 3/8	6 5/8	7	5 7/8	1	21	17#	
1	2 3/4	12 7/16	11/16	6 7/8	7 1/8	7 1/2	5 7/8	1 1/4	22	25#	
1 1/2	3	15 15/16	17 3/16	6	7 3/4	8 1/4	7 3/4	1 1/2	66	42#	
2	3 1/4	19 7/8	21 3/8	8 3/8	8 5/8	9 1/4	9 3/4	1 3/4	80	61#	

*Laboratory Certified Flow Tests

BODY.....1018 CS; OR 316 SS
 TRIM.....316/416 SS
 TEMPERATURE.....-20 to 400 F
 M.A.W.P.....1500 P.S.I.G
 SEALS.....CONSULT

Typical dimensions are listed. Data contained herein can be altered to accommodate design changes and changes to increase performance. Information on this page is the sole property of L6 Inc. d/b/a Total Valve Systems.

Corporate Office
 1300 East Memphis 74012
 P.O. Box 1957
 Broken Arrow, OK 74013

1-800.324.7035
 918.258.7035 Tel/918-251.6426 Fax
 Email: sales@totalvalve.com
 Web Site: www.totalvalve.com