

VALVE SIZING...Use of Performance Charts

FULFLO GUIDED PISTON VALVES

The trademark FULFLO expresses the basic principle that the relief valve must have flow capacity equal to that of the pipe lines to which it is connected. The sliding piston concept and internal design contours of FULFLO valves provide unique flow and stability characteristics for reliable performance without chatter.

FULFLO valves are designed to operate reliably at pressures as low as 2 PSI and as high as 1000 PSI. The FULFLO valve reduces velocities through all but the controlling interface of the valve thereby minimizing system power loss.

Unlike ordinary direct acting relief valves, FULFLO guided piston valves are less responsive to transient pressure surges thereby eliminating the tendency to pound, squeal or chatter. Quiet, stable, efficient performance is assured in both load regulation and system protection applications.

FULFLO valves operate effectively with all types of liquids in the full range of viscosities including hydraulic oils, water, solvents and chemicals.

FULFLO valves are not designed to be positive shut off, and will pass a minimal amount of leakage before the set pressure.

FULFLO valves are NOT designed for use with air, gas or steam.

Since the FULFLO relief valve is a flow-modulating device, pressure flow characteristics are completely different from spring loaded poppet or ball check valves. Both types remain substantially tight up to *cracking pressure*. When this pressure is exceeded, the "conventional" valve pops open with a pressure drop at very low flow and an exponential pressure rise as the flow increases.

In contrast the FULFLO valve causes a pressure rise, *over-pressure*, as soon as flow starts; pressure increases almost proportionally with flow. Springs and areas on FULFLO valves are carefully designed to minimize this over-pressure.

Both pressures are important in sizing a valve. *Cracking pressure* must be selected high enough to permit system operation at its maximum rated pressure and flow. *Over-pressure* is limited by the system's capability to withstand the additional pressure and the motor's ability to sustain the pump output at the increased pressure for the required time interval.

The over-pressure to produce a certain flow is a function of valve size and spring constant and can be determined with the aid of the over-pressure charts given for the different valve sizes. The valve performance charts are based on tests made with oil of 150 SSU viscosity at 100° F and may be used with reasonable accuracy within the conventional range of oil viscosities from 30 to 500 SSU. For operation with high viscosity fluids, consult FULFLO's engineering department.

In sizing a valve, the first attempt should be to select a

valve equal in size to the pipe to which it is connected. A larger or smaller valve may be used to suit individual requirements, depending on the permissible amount of over-pressure. Assume we have selected a 3/4" valve for 17 GPM flow and a cracking pressure of 325 PSI. By referring to the pressure range chart, we find that we may use either a "YS" or a "ZS" spring.

Assuming a "YS" spring, draw a line horizontally at 17 GPM in the 3/4" valve chart, to intersect the slanted line marked "YS" and drop a vertical line to the over-pressure scale to read an over-pressure of 44 PSI. The 17 GPM will be discharged at a pressure of 325 + 44 or 369 PSI. The percentage of over-pressure would be $44/325 \times 100$ or 13.5%.

If a "ZS" spring is used, extend the horizontal line to the "ZS" slope and the over-pressure is 70 PSI. The pressure to pass 17 GPM would be 325 + 70 or 395 PSI and the over-pressure would be 21.5%. If the over-pressure is higher than desired for the particular application, the procedure may be repeated for the next larger size valve.

In some cases, maximum flow through a valve at a given pressure is specified. To determine the cracking pressure, assume a 3/4" valve is to pass 12 GPM at 50 PSI. A horizontal line drawn from the 12 GPM capacity to the intersection with the "WS" spring line results in an over-pressure of 14 PSI, therefore the cracking pressure must be 50 - 14 or 36 PSI, and the percentage of over-pressure of only 9 PSI, but the cracking pressure would be $14/36 \times 100$ or 38.8%. The use of a "US" spring would produce an over pressure of only 9 PSI but the cracking pressure would then be 50 - 9 or 41 PSI, which would exceed the rating of the "US" spring.

For sizing valves for higher viscosity than 500 SSU, the following formula is used:

$$4\sqrt{\frac{V2}{V1}} \times \text{area of valve for 150 SSU}$$

$$V1 = 150 \text{ SSU}$$

$$V2 = \text{higher viscosity}$$

Assume we have the following application,

$$\text{GPM} = 10$$

$$\text{Viscosity} = 12,000 \text{ SSU}$$

Normally for 10 GPM a 1/2" valve would be used. Referring to the orifice area chart on page 9, to find the area of a 1/2" valve. The area is .305.

$$4\sqrt{\frac{12000}{150}} = 4\sqrt{80} = 2.99$$

$2.99 \times .305 = .9120$ area needed to pass 10 GPM

Again referring to the orifice area chart, we find that the area of 1 1/4" valve is 1.224. Therefore a 1 1/4" valve would be used. To find the over-pressure refer to the performance chart for a 1 1/4" valve.

Performance charts based on actual test results are available on request. For additional information contact THE FULFLO SPECIALTIES CO.

PIPE SIZING...Use of the Nomograph

The flow velocity, which must first be determined, is dependent on the viscosity of the fluid and the permissible flow resistance in the piping. Lower velocities are for higher viscosity fluids and/or lower pressure drops; higher velocities are for less viscous fluids and cases where higher pressure drops can be tolerated. In all cases, allowable suction velocities are much lower and the lowest velocities should be used for the more viscous fluids and/or higher suction lifts.

Suction velocities are much more critical than discharge velocities. Too high a discharge velocity may only result in excessive power loss but an excessive suction velocity may make the system inoperative or cause damage to the pump and system.

After the velocity has been selected, the nomograph chart is used to determine the inside diameter of the pipe at a given flow rate. For example, assume a flow of 17 gpm and a velocity of 12 fps for the discharge pipe is required. Draw a line from the 12 fps point on the velocity scale through the 17 gpm point on the flow rate scale and the extended line intersects the pipe inside diameter scale at 0.76 inches. This inside diameter applies to either pipe or tubing.

The correct pipe or tube size also depends on the pressure it must carry. The conversion chart for pipe sizes and schedules facilitates this section.

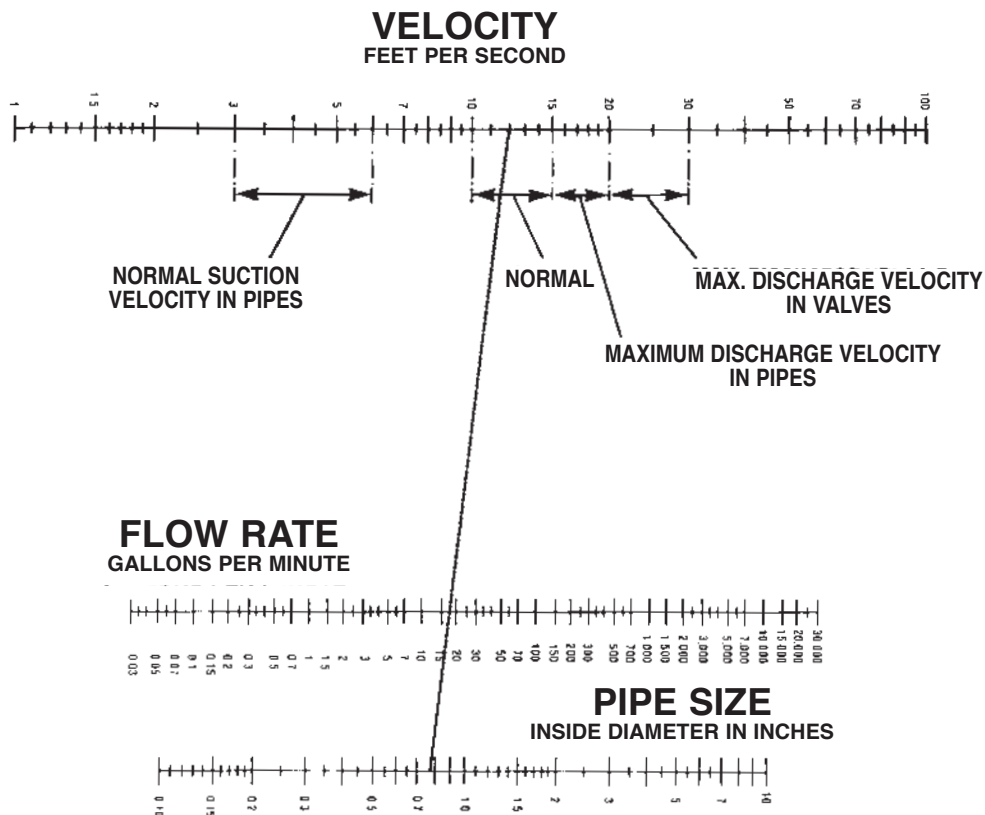
Note the different weights or piping are grouped under various schedule numbers. Approximate pressure for each schedule number may be computed from the formula.

$$\text{Pressure} = \frac{S}{1000} \times \text{schedule number}$$

S is the permissible stress to which the pipe is subjected. Thus, for a stress of 10,000 psi, the allowable pressure is equal to ten times the schedule number. Higher pressures may be carried if higher stresses are allowed.

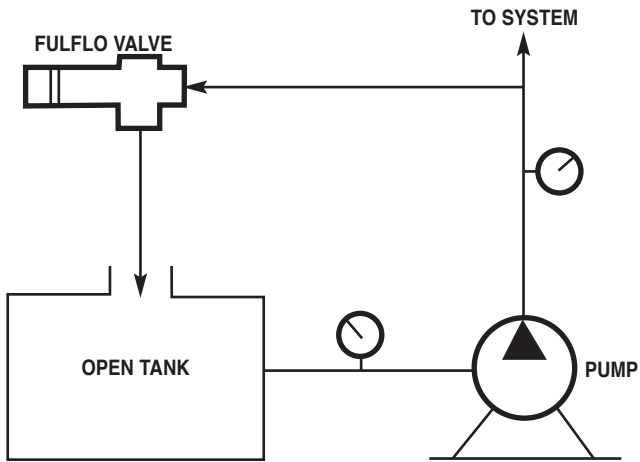
In the example, a schedule 40 pipe is more than adequate for 250 psi. Twice the wall thickness of a 3/4" schedule 40 pipe of 0.226 or 0.976". Since the actual outside diameter of a 3/4" schedule 40 pipe is 1.05", the selection of a 3/4" pipe is adequate.

A 3/4" Fulflo relief valve should be selected. Operational characteristics of this valve, that is cracking pressure and overpressure, may be determined from the performance chart precisely in the manner explained in the example. The maximum discharge pressure of 285 psi is still well below the safe carrying capacity of the pipe. The design of the Fulflo valves is such that if used within their rating and with properly selected springs, the overpressure is not sufficient to endanger system or system components.



APPLICATIONS

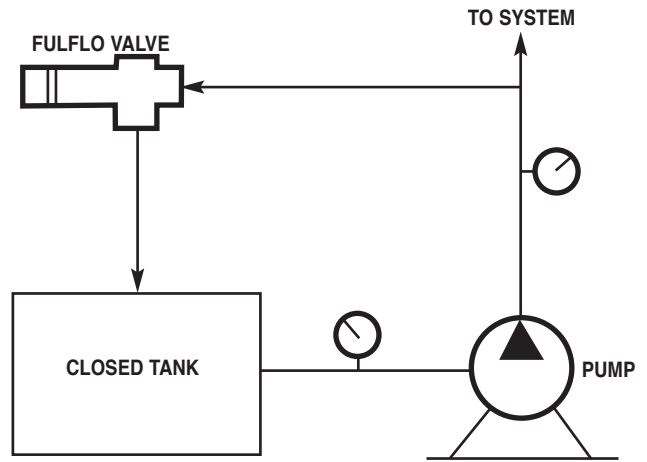
APPLICATION 1



OPEN TANK

VALVE SET PRESSURE EQUALS
SYSTEM OPERATING PRESSURE

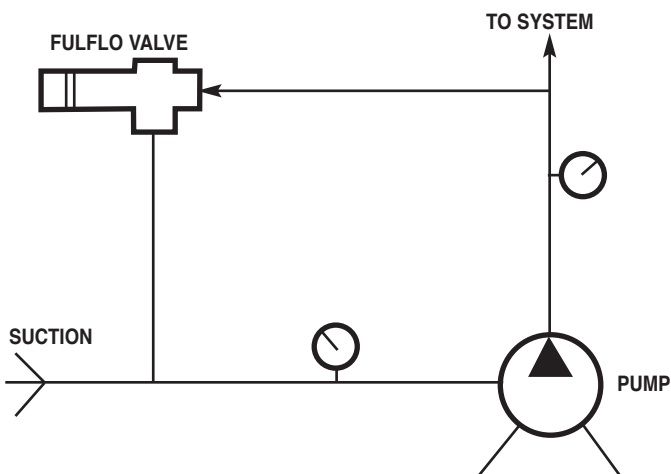
APPLICATION 2



CLOSED TANK

TANK PRESSURE + VALVE SET PRESSURE
EQUALS SYSTEM OPERATING PRESSURE
(EXCLUDING OV-SERIES)

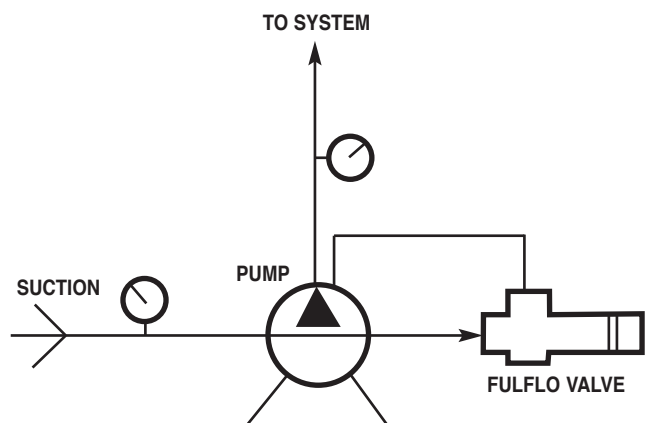
APPLICATION 3



CLOSED LOOP

SUNCTION PRESSURE + VALVE SET PRESSURE
EQUALS SYSTEM OPERATING PRESSURE
(EXCLUDING OV-SERIES)

APPLICATION 4



PUMP INTERNAL RELIEF

FOR PUMPS WITH (2) SUCTION PORTS
AND (2) DISCHARGE PORTS

SUNCTION PRESSURE + VALVE SET PRESSURE
EQUALS SYSTEM OPERATING PRESSURE
(EXCLUDING OV-SERIES)

SPRING MATERIAL & TEMPERATURE CHART

VALVE SIZE	PART NO.	MATERIAL				MAX TEMP.				ASTM SPEC.					
		17-7PHSS	18-8SS	CHR. VANADIUM	OIL TEMP.	MUSIC WIRE	650 F	550 F	425 F	250 F	313 TYPE 631	A581 COND. A	A 231	229	228
3/8"	207-AS		*												
	207-US		*												
	207-WS		*												
	207-XS		*												
	207-YS	*				*				*					
	207-ZS	*				*				*					
	207-RS	*				*				*					
	207-TS	*				*				*					
1/2"	307-AS		*												
	307-US		*												
	307-WS		*												
	307-XS	*				*				*					
	307-YS	*				*				*					
	307-ZS	*				*				*					
	307-RS	*				*				*					
	307-TS	*				*				*					
3/4"	407-AS		*												
	407-US		*												
	407-WS		*												
	407-XS	*				*				*					
	407-ZS	*				*				*					
1"	507-AS		*												
	507-US		*												
	507-WS		*												
	507-XS	*				*				*					
	507-YS	*				*				*					
	507-ZS	*				*				*					
1 1/4"	607-AS		*												
	607-US		*												
	607-WS		*												
	607-XS	*				*				*					
	607-YS	*				*				*					
	607-ZS	*				*				*					
	607-R	*				*				*					

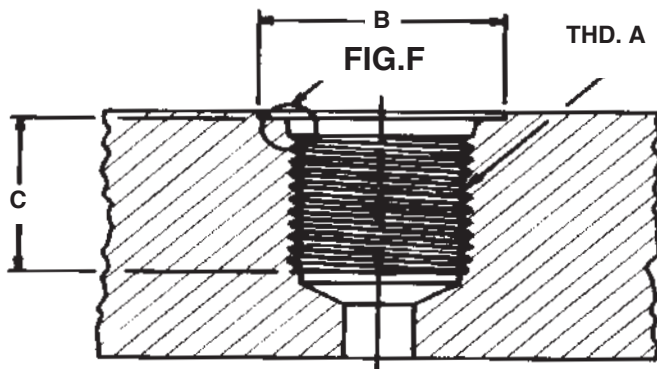
VALVE SIZE	PART NO.	MATERIAL				MAX TEMP.				ASTM SPEC.					
		17-7PHSS	18-8SS	CHR. VANADIUM	OIL TEMP.	MUSIC WIRE	650 F	550 F	425 F	250 F	313 TYPE 631	A581 COND. A	A 231	229	228
1 1/2"	707-AS		*												
	707-US		*												
	707-WS		*												
	707-XS	*				*				*					
	707-YS	*				*				*					
	707-ZS	*				*				*					
	707-R	*				*				*					
2"	807-AS		*												
	807-US		*												
	807-WS		*												
	807-XS	*				*				*					
	807-YS	*				*				*					
	807-ZS	*				*				*					
2 1/2"	A0960D		*												
	A0961C		*												
	A0970D		*												
	A0971C		*												
3"	A1060D		*												
	A1061C		*												
	A1070D		*												
	A1071C		*												
	A1080D		*												
4"	A1160D		*												
	A1170D		*												
	A1181D		*												
4" 3" 2 1/2"	A1190D		*												

NOTES

SAE O-RING BOSS CONNECTIONS

VALVE SIZE	SAE J1926								
	5	6	8	10	12	16	20	24	32
3/8"	X	X	X						
1/2"		X	X	X					
3/4"					X				
1"					X	X	X		
1 1/4"							X	X	
1 1/2"								X	
2"									X

SAE (Society Automotive Engineers)



DIMENSIONS (INCHES)

SAE NO.	A	B	C	D	E
5	1/2"-20	.937	.547	.550	12°F
6	9/16"-18	1.000	.609	.616	12°F
8	3/4"-16	1.218	.688	.811	12°F
10	7/8"-14	1.375	.781	.942	15°F
12	1 1/16"-12	1.656	.906	1.148	15°F
16	1 5/8"-12	2.000	.906	1.398	15°F
20	1 5/8"-12	2.312	.906	1.713	15°F
24	1 7/8"-12	2.562	.906	1.962	15°F
32	2 1/2"-12	3.192	.906	2.587	15°F

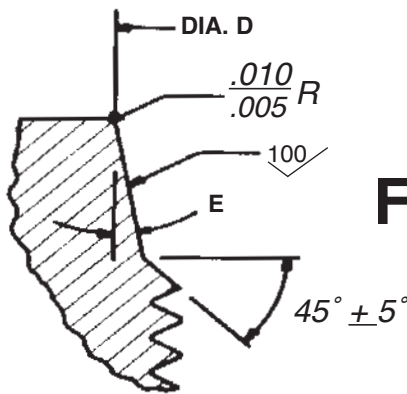


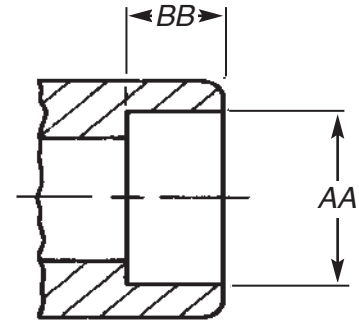
FIG. F

VALVE SIZE	SAE NO.	MATERIAL			
		CAST IRON	BRASS	STEEL	STAINLESS
3/8"	5	SVJ-2039	SVB-2039	SVS-2039	SVSS-2039
	6	SVJ-2036	SVB-2036	SVS-2036	SVSS-2036
	8	SVJ-2042	SVB-2042	SVS-2042	SVSS-2042
1/2"	6	SVJ-3065	SVB-3065	SVS-3065	SVSS-3065
	8	SVJ-3066	SVB-3066	SVS-3066	SVSS-3066
	10	SVJ-3051	SVB-3051	SVS-3051	SVSS-3051
3/4"	12	SVJ-4049	SVB-4049	SVS-4049	SVSS-4049
1"	12	SVJ-5084	SVB-5084	SVS-5084	SVSS-5084
	16	SVJ-5071	SVB-5071	SVS-5071	SVSS-5071
	20	SVJ-5083	SVB-5083	SVS-5083	SVSS-5083
1 1/4"	20	SVJ-6065	SVB-6065	SVS-6065	SVSS-6065
	24	SVJ-6066	SVB-6066	SVS-6066	SVSS-6066
1 1/2"	24	SVJ-7050	SVB-7050	SVS-7050	SVSS-7050
2"	32	SVJ-8047	SVB-8047	SVS-8047	SVSS-8047

SOCKET WELD & STANDARD MATERIALS

SOCKET WELD

VALVE SIZE	MODEL NUMBER		AA		BB
	STEEL	STAINLESS	MIN.	MAX.	
3/8"	SVS-2033	SVSS-2033	.685	.690	.312
1/2"	SVS-3037	SVSS-3037	.850	.855	.437
3/4"	SVS-4038	SVSS-4038	1.060	1.065	.562
1"	SVS-5024	SVSS-5024	1.325	1.330	.625
1 1/4"	SVS-6058	SVSS-6058	1.670	1.675	.750
1 1/2"	SVS-7067	SVSS-7067	1.910	1.915	.812
2"	SVS-8070	SVSS-8070	2.410	2.415	.875



ASTM/ASME SPECIFICATIONS (Materials Subject to Change)

Adjusting Screws

Stop Rings, Glands, Bonnets

Brass – ASTM B16
 Steel – ASTM 108
 Stainless Steel – ASME ASME SA479
 Stop Rings Only Class 316

Locknuts, Retainers

Steel – ASTM 108
 Stainless Steel – ASTM A582 Class 303
 – ASTM A484 Class 303
 Brass – ASTM B16

Bodies

Cast Iron – ASTM A126-42 Class A
 Brass – ASME B62
 Steel – ASTM A 216 Grade WCB
 Stainless Steel – ASTM A 351 CF8M
 – ASTM A 743 CF8M

Caps

Cast Iron – 401 thru 801 ASTM A 48 Class 30
 Brass – 201-B thru 501-B ASTM B16
 Brass – 601B thru 801-B ASME B62
 Steel – ASTM 108, ASTM A216 WCB
 Stainless Steel – ASTM A484, ASTM A351 CF8M

Pistons

Hardened Steel – ASTM 108
 416 - SS – ASTM A 582 Cond. A, ASTM A484
 303 - SS – ASTM A 582 Class 303, ASTM A484

O-RING & PAD MATERIAL SPECIFICATIONS

MATERIAL	SUFFIX CODE	COMPOUND	TEMP. RANGE		ASTM SPEC.
			MIN.	MAX.	
BUNA	R	B 46	-40°F	257°F	D2000
ETHYLENE-PROPYLENE	EPR	E 50	-67°F	302°F	D2000
VITON	RV	V 14	-31°F	437°F	D2000
SILICONE	RS	S 71	-103°F	482°F	D2000
TEFLON	RT	--	-423°F	500°F	D2000
NEOPRENE	RN	--	-67°F	284°F	D2000
AFLAS	RA	--	-25°F	450°F	D2000

MAX / MIN TEMP. OF BODIES

MATERIAL	MIN TEMP.	MAX TEMP.
CAST IRON	-20°F	400°F
BRASS	-20°F	400°F
STEEL	-30°F	600°F
STAINLESS STEEL	-50°F	600°F

MAXIMUM ALLOWABLE WORKING PRESSURE

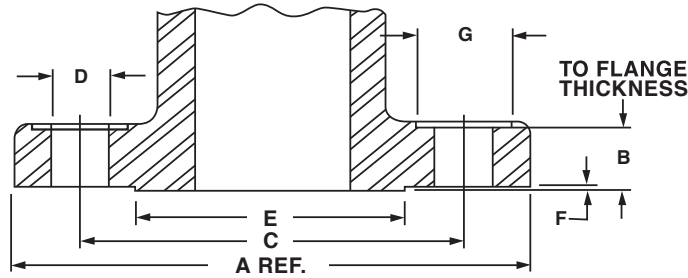
CAST IRON	1500 PSI
BRASS	1500 PSI
STEEL	2000 PSI
STAINLESS STEEL	2000 PSI

ORIFICE AREA & PISTON/BODY TOLERANCES

DIMENSIONS IN INCHES

VALVE SIZE	PISTON DIA. ±.000-.0003	AREA IN 2	BODY GO RC 3 FIT	BODY NO GO RC 3 FIT
3/8	.4985	.195	.4993	.4999
1/2	.6235	.305	.6243	.6249
3/4	.7485	.440	.7493	.7499
1	.9985	.783	.9993	1.0003
1 1/4	1.2485	1.224	1.2495	1.2507
1 1/2	1.4985	1.764	1.4995	1.5007
2	1.9985	3.167	1.9997	2.0011
2 1/2	2.6500	5.515	2.6517	2.6527
3	3.1235	7.663	3.1247	3.1261
4	4.1222	13.346	4.1250	4.1262

FLANGE AND DRILLING DIMENSIONS (INCHES)



CLASS 125 (CAST IRON) CLASS 150 (BRASS – STEEL – STAINLESS STEEL)

Valve Size	A Flange Diameter	B Flange Thickness		C Bolt Circle Diameter	D Bolt Holes Diameter	E Raised Face Diameter	F Raised Face Height	G Spotface Diameter	Number of Bolts
		Brass	CI/Steel						
1"	4 ¹ / ₄ "	3/8"	9/16"	3 ¹ / ₈ "	5/8"	2"	1/16"	1.12	4
1 ¹ / ₄ "	4 ⁵ / ₈ "	13/32"	5/8"	3 ¹ / ₂ "	5/8"	2 ¹ / ₂ "	1/16"	1.12	4
1 ¹ / ₂ "	5"	7/16"	11/16"	3 ⁷ / ₈ "	5/8"	2 ⁷ / ₈ "	1/16"	1.12	4
2"	6"	1/2"	3/4"	4 ³ / ₄ "	3/4"	3 ⁵ / ₈ "	1/16"	1.37	4
2 ¹ / ₂ "*	7"	N/A	7/8"	5 ¹ / ₂ "	3/4"	4 ¹ / ₈ "	1/16"	1.37	4
3"*	7 ¹ / ₂ "	N/A	15/16"	6"	3/4"	5"	1/16"	1.37	4
4"*	9"	N/A	15/16"	7 ¹ / ₂ "	3/4"	6 ³ / ₁₆ "	1/16"	1.37	8

Note: Brass flanges conform to 150# ANSI B 16.24 *except* with raised face. Cast iron and steel flanges conform to 150# ASME B 16.5 steel specifications.

*Available in Cast Iron & Steel only. 125-250 AARH flange finish (Steel & Stainless Steel only)

CLASS 250 (CAST IRON)

Valve Size	A Flange Diameter	B Flange Thickness	C Bolt Circle Diameter	D Bolt Holes Diameter	E Raised Face Diameter	F Raised Face Height	G Spotface Diameter	Number of Bolts
1"	4 ⁷ / ₈ "	11/16"	3 ¹ / ₂ "	3/4"	2 ¹¹ / ₁₆ "	1/16"	1.37	4
1 ¹ / ₄ "	5 ¹ / ₄ "	3/4"	3 ⁷ / ₈ "	3/4"	3 ¹ / ₁₆ "	1/16"	1.37	4
1 ¹ / ₂ "	6 ¹ / ₈ "	13/16"	4 ¹ / ₂ "	7/8"	3 ⁹ / ₁₆ "	1/16"	1.56	4
2"	6 ¹ / ₂ "	7/8"	5	3/4"	4 ³ / ₁₆ "	1/16"	1.37	8

Note: Cast iron flanges conform to 250# ASME B 16.2 steel specifications.

CLASS 300 (BRASS – STEEL – STAINLESS STEEL)

Valve Size	A Flange Diameter	B Flange Thickness	C Bolt Circle Diameter	D Bolt Holes Diameter	E Raised Face Diameter	F Raised Face Height	G Spotface Diameter	Number of Bolts
1"	4 ⁷ / ₈ "	11/16"	3 ¹ / ₂ "	3/4"	2"	1/16"	1.37	4
1 ¹ / ₄ "	5 ¹ / ₄ "	3/4"	3 ⁷ / ₈ "	3/4"	2 ¹ / ₂ "	1/16"	1.37	4
1 ¹ / ₂ "	6 ¹ / ₈ "	13/16"	4 ¹ / ₂ "	7/8"	2 ⁷ / ₈ "	1/16"	1.56	4
2"	6 ¹ / ₂ "	7/8"	5"	3/4"	3 ⁵ / ₈ "	1/16"	1.37	8
2 ¹ / ₂ "	7 ¹ / ₂ "	1"	5 ⁷ / ₈ "	7/8"	4 ¹ / ₈ "	1/16"	1.56	8
3"	8 ¹ / ₄ "	1 ¹ / ₈ "	6 ⁵ / ₈ "	7/8"	5"	1/16"	1.56	8
4"	10"	1 ¹ / ₄ "	7 ⁷ / ₈ "	7/8"	6 ³ / ₁₆ "	1/16"	1.56	8

Note: Available in steel and cast iron only. Brass flanges conform to 300# ANSI B 16.24 *except* with raised face.

Steel flanges conform to 300# ASME B 16.5 steel specifications. 125-250 AARH flange finish (Steel & Stainless Steel only)

CLASS 600 (STEEL – STAINLESS STEEL)

Valve Size	A Flange Diameter	B Flange Thickness	C Bolt Circle Diameter	D Bolt Holes Diameter	E Raised Face Diameter	F Raised Face Height	G Spotface Diameter	Number of Bolts
1"	4 ⁷ / ₈ "	15/16"	3 ¹ / ₂ "	3/4"	2"	1/4"	1.37	4
1 ¹ / ₄ "	5 ¹ / ₄ "	1 ¹ / ₁₆ "	3 ⁷ / ₈ "	3/4"	2 ¹ / ₂ "	1/4"	1.37	4
1 ¹ / ₂ "	6 ¹ / ₈ "	1 ¹ / ₈ "	4 ¹ / ₂ "	7/8"	2 ⁷ / ₈ "	1/4"	1.56	4
2"	6 ¹ / ₂ "	1 ¹ / ₄ "	5"	3/4"	3 ⁵ / ₈ "	1/4"	1.37	8
2 ¹ / ₂ "	7 ¹ / ₂ "	1 ³ / ₈ "	5 ⁷ / ₈ "	7/8"	4 ¹ / ₈ "	1/4"	1.56	8
3"	8 ¹ / ₄ "	1 ¹ / ₂ "	6 ⁵ / ₈ "	7/8"	5"	1/4"	1.56	8
4"	10 ³ / ₄ "	1 ³ / ₄ "	8 ¹ / ₂ "	1"	6 ³ / ₁₆ "	1/4"	1.78	8

Note: Steel flanges conform to 600# ASME B 16.5 steel specifications. 125-250 AARH flange finish (Steel & Stainless Steel only)

Note: Special Flanges With Drilling On Or Off Center And Smooth Or Raised Face Are Available Upon Request.