



EXCESS FLOW VALVE – 2120

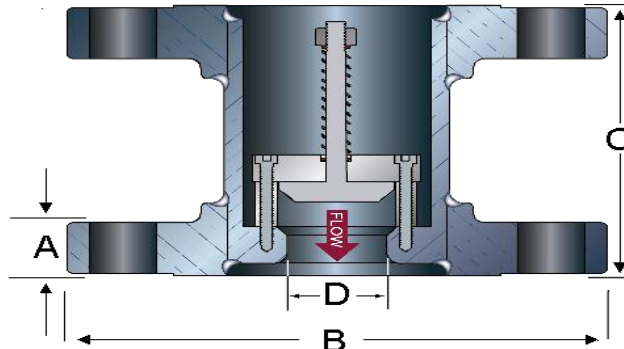
2120 Series Excess Flow Valves are designed for use in liquid or vapor service. These valves are heavily constructed and can withstand years of service. The 2120 Series comes standard with 150# or 300 # ANSI class flanges. Available standard in carbon or stainless steel; however, other materials are available upon request. Internal components are also offered in ceramic. The 2120 series comes with flanged connections, but can be ordered with a butt welded or threaded connection option. A weep hole for automatic pressure equalization is standard. An external manual bypass system is optional. The system consists of ½” SS piping with a CS or SS mini valve with/without a weep hole. Closing flow rates for the 2120 Series Excess Flow Valves are factory preset per customer requirements.

FLANGE	150#			300#			600#		
SIZE	A	B	C	A	B	C	A	B	C
0.75"	4.50"	3.88"	0.44"	4.50"	4.62"	0.56"	5.00"	4.62"	0.62"
1	4.50	4.25	0.50	4.50	4.88	0.62	5.00	4.88	0.69
1.5	4.75	5.00	0.62	5.00	6.12	0.75	5.50	6.12	0.88
2	5.00	6.00	0.69	5.75	6.50	0.81	6.50	6.50	1.00
3	6.25	7.50	0.88	6.50	8.25	1.06	7.50	8.25	1.25
4	6.30	9.00	0.88	7.44	10.00	1.19	8.25	10.75	1.50
6	8.00	11.00	0.94	9.00	12.50	1.38	10.50	14.00	1.88
8	12.00	13.50	1.06	12.50	15.00	1.56	13.00	16.50	2.19
10	13.50	16.00	1.12	14.25	17.50	1.81	15.00	20.00	2.50
12	18.00	19.00	1.19	19.00	20.50	1.94	20.00	22.00	2.62
14	22.00	21.00	1.31	24.00	23.00	2.06	26.00	23.75	2.75

These dimensions are for standard designs as reference only.
Valves can be custom-engineered as needed.



External Manual Bypass



Typical dimensions are listed. Data contained herein can be altered to accommodate design changes and changes to increase performance.

Information on this page is the sole property of L6 Inc. d/b/a Total Valve Systems.