

### Features

- 30° angle seat design
- Designed for use with forward acting PB or D Series metal rupture disks.
- Angle seat positions disk between the inlet and outlet holder to ensure proper installation
- Refer to the back of this bulletin for available holder mounting configurations
- Materials of construction: Carbon steel and 316. Other materials available upon request
- Sizes 1/2" (13 mm) thru 24" (600 mm) diameters
- ANSI and DIN Flange class and type specific, guards against installing an assembly into mating flanges with a different pressure rating than the rupture disk holder
- Stainless steel safety designed side clips are standard, allowing for pre-assembly of disk into holder
- Flow direction arrows on disk tag and holder provides permanent visual verification that holder assembly is properly oriented in the piping system
- Available options include: gauge tap; nipple and tee; excess flow valve; pressure gauge; J-hook; special facings and coatings



Assembly 7A

Size	Burst Pressure psig (barg) @ 72°F (22°C)	Standard Lip (SL)	Heavy Duty Lip (HDL)
1/2"	Min-2159	●	
	2160-Max		●
13 mm	Min-148.86	●	
	148.93-Max		●
3/4"	Min-2159	●	
	2160-Max		●
19 mm	Min-148.86	●	
	148.93-Max		●
1"	Min-2159	●	
	2160-Max		●
25 mm	Min-148.86	●	
	148.93-Max		●
1-1/2"	Min-2159	●	
	2160-Max		●
40 mm	Min-148.86	●	
	148.93-Max		●
2"	Min-2159	●	
	2160-Max		●
50 mm	Min-148.86	●	
	148.93-Max		●
3" - 16"	Min-Max	●	N/A
80 mm - 400 mm	Min-Max	●	N/A
18" - 24"	Min-Max	N/A	●
450 mm - 600 mm	Min-Max	N/A	●

Note: N/A – Not Available

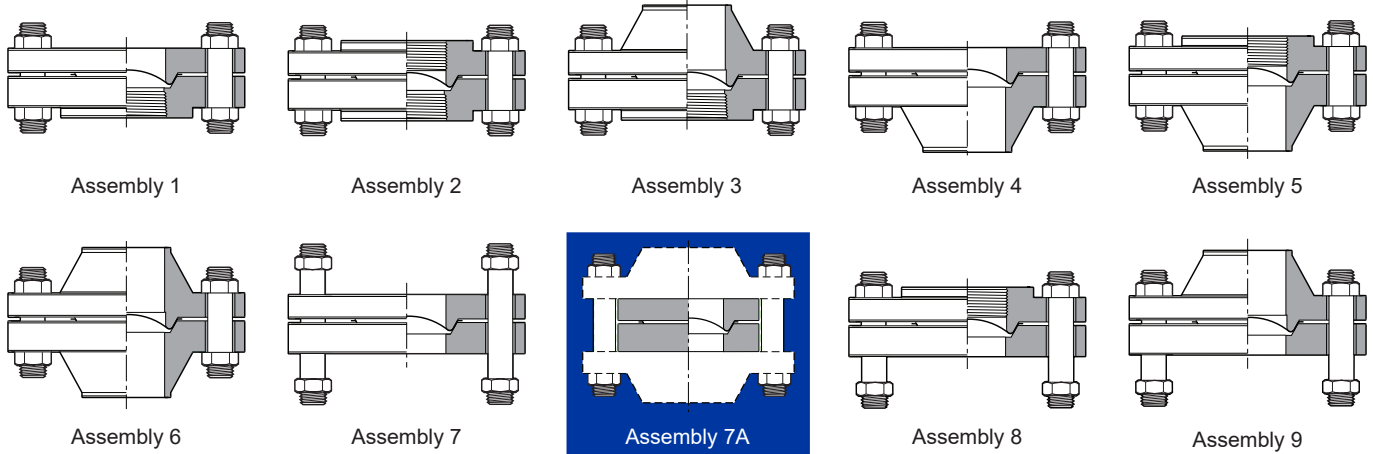


#### CAUTION

If holder is exposed to elevated temperature during normal operation, contact ZOOK for pressure/temperature ratings for holders and flanges.



# Bolted Type Specifications



Size	ASME B16.5 Class Flanges	Outside Diameter		Approximate End-To-End Dimensions									
				Assembly Number									
		7A	Others	1	2	3	4	5	6	7	7A	8	9
1/2"	150	1-3/4"	3-1/2"	1-3/8"	1-3/8"	2-5/8"	2-1/2"	2-5/8"	3-7/8"	1-11/16"	1-11/16"	1-3/8"	2-3/4"
	300/600	1-3/4"	3-3/4"	1-7/8"	1-7/8"	2-7/8"	2-3/4"	2-7/8"	4-1/4"	1-11/16"	1-11/16"	1-7/8"	3"
3/4"	150	2-1/8"	3-7/8"	1-7/16"	1-3/8"	2-13/16"	2-11/16"	2-13/16"	4-1/4"	1-3/4"	1-3/4"	1-7/16"	3"
	300/600	2-1/2"	4-5/8"	2-3/16"	2-1/16"	3-3/16"	3-1/8"	3-3/16"	4-5/8"	1-3/4"	1-3/4"	2-3/16"	3-3/16"
1"	150	2-1/2"	4-1/4"	1-1/2"	1-1/2"	3-1/8"	2-7/8"	3-1/8"	4-1/2"	1-3/4"	1-3/4"	1-1/2"	3-1/8"
	300/600	2-3/4"	4-7/8"	2-1/4"	2-1/4"	3-1/2"	3-1/4"	3-1/2"	5"	1-3/4"	1-3/4"	2-1/4"	3-3/8"
1-1/2"	150/	3-1/4"	5"	1-3/4"	1-7/8"	3-1/2"	3-1/4"	3-1/2"	5"	1-3/4"	1-3/4"	1-3/4"	3-1/4"
	300/600	3-5/8"	6-1/8"	2-1/8"	2-1/2"	3-7/8"	3-5/8"	3-7/8"	5-1/2"	1-3/4"	1-3/4"	2-1/8"	3-5/8"
2"	150	4"	6"	1-7/8"	2-1/8"	3-5/8"	3-3/8"	3-5/8"	5-1/8"	1-3/4"	1-3/4"	1-7/8"	3-3/8"
	300/600	4-1/4"	6-1/2"	2-3/4"	2-3/4"	4"	3-3/4"	4"	5-5/8"	1-3/4"	1-3/4"	2-3/8"	3-3/4"
3"	150	5-1/4"	7-1/2"	2-1/8"	2-1/2"	4-1/8"	3-7/8"	4-1/8"	5-3/8"	1-3/4"	1-3/4"	2-1/8"	3-5/8"
	300/600	5-3/4"	8-1/4"	3-1/8"	3-1/2"	4-5/8"	4-3/8"	4-5/8"	6-3/8"	1-3/4"	1-3/4"	3-1/8"	4-3/8"
4"	150	6-3/4"	9"	2-3/8"	2-3/4"	4-1/2"	4-1/8"	4-1/2"	6-1/8"	1-3/4"	1-3/4"	2-3/8"	3-7/8"
	300	7"	10"	3-1/4"	3-7/8"	5"	4-3/4"	5"	6-7/8"	1-3/4"	1-3/4"	3-1/4"	4-1/2"
6"	150	8-5/8"	11"	-	-	-	4-5/8"	-	7-1/8"	2-1/4"	2-1/4"	-	4-1/2"
	300	9-3/4"	12-1/2"	-	-	-	5-1/2"	-	7-7/8"	2-1/4"	2-1/4"	-	5"
8"	150	10-7/8"	13-1/2"	-	-	-	5-1/4"	-	8-1/8"	2-1/2"	2-1/2"	-	5-1/8"
	300	12"	15"	-	-	-	5-5/8"	-	8-7/8"	2-1/2"	2-1/2"	-	5-1/2"
10"	150	13-1/4"	16"	-	-	-	5-3/8"	-	8-1/8"	2-1/2"	2-1/2"	-	5-1/8"
	300	14-1/8"	17-1/2"	-	-	-	6-3/8"	-	9-3/8"	2-1/2"	2-1/2"	-	5-1/2"
12"	150	16"	19"	-	-	-	5-7/8"	-	9-1/8"	2-9/16"	2-9/16"	-	5-5/8"
	300	16-1/2"	20-1/2"	-	-	-	7-1/4"	-	10-3/8"	2-9/16"	2-9/16"	-	6-1/4"
14"	150	17-5/8"	21"	-	-	-	6-1/2"	-	10-1/4"	3"	3"	-	6-1/8"
	150	20-1/8"	23-1/2"	-	-	-	6-5/8"	-	10-1/4"	3"	3"	-	6-1/8"
18"	150	21-1/2"	25"	-	-	-	7-1/4"	-	11-1/4"	3-3/16"	3-3/16"	-	6-5/8"
	150	23-3/4"	27-1/2"	-	-	-	7-1/2"	-	11-5/8"	3-7/32"	3-7/32"	-	6-7/8"
24"	150	28-1/8"	32"	-	-	-	8"	-	12-1/4"	3-11/32"	3-11/32"	-	7-1/8"

Note: For alternate flanges contact ZOOK.



BoltedType\_112019

Visit us at [www.zookdisk.com](http://www.zookdisk.com)

## SERVING AMERICA, CENTRAL & SOUTH AMERICA

16809 Park Circle Drive  
Chagrin Falls, Ohio 44022  
United States

Toll Free: +1 800 543 1043  
Phone: +1 440 543 1010  
Fax: +1 440 543 4930  
E-mail: [sales@zookdisk.com](mailto:sales@zookdisk.com)

## SERVING EUROPE, MIDDLE EAST & AFRICA

Navigation House, Bridge St.  
Killamarsh, Sheffield, S21 1AL  
United Kingdom

Phone: +44 (0) 1909 560999  
Fax: +44 (0) 1909 560860  
E-mail: [sales.europe@zookdisk.com](mailto:sales.europe@zookdisk.com)

## SERVING CANADA

4400 South Service Road  
Burlington, Ontario, L7L 5R8  
Canada

Toll Free: +1 800 370 6057  
Phone: +1 905 681 2885  
Fax: +1 905 681 8838  
E-mail: [sales.canada@zookdisk.com](mailto:sales.canada@zookdisk.com)

## SERVING ASIA PACIFIC

Unit No. 23A-05, Menara Landmark  
No.12, Jalan Ngee Heng  
80000 Johor Bahru, Johor,  
Malaysia

Phone: +60 (7) 2910099  
Fax: +60 (7) 2910096  
E-mail: [sales.asia@zookdisk.com](mailto:sales.asia@zookdisk.com)



Safety through knowledge and performance.